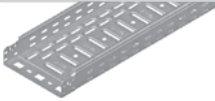

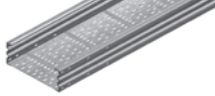





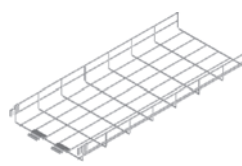

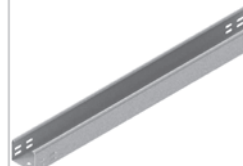



## New Products and Solutions BAKS

	<b>Trays click connection system KF...H60</b>	
	<b>Wire Mesh Cable Tray with welded in Snap-in connector KDSZ</b> <b>Wire Mesh Cable Tray KDSD300H50</b> <b>Ceiling Wire Hanger WSKD</b>	<b>Wire Clamp for Wire Mesh Cable Trays USKD</b> <b>Battery powered cable tray cutter NAKS</b> <b>Snap-in Support PMMCS...</b> <b>Stiffening Connector LUWD</b>
	<b>Vertical Connector LPS120 and LPS200</b> <b>Universal Holder UDU...</b> <b>New Height - 160 mm</b>	
	<b>Cable trays - power supply to machines</b>	
	<b>Fast assembly system of cable ladders - DF...</b> <b>Assembly with rungs facing wall ZMD...</b>	
	<b>Mounting plate for ladder's rung BPSD</b> <b>Vertical Connector LPS120 i LPS200</b> <b>Cable Ladder Holder UDD</b> <b>Universal Holder UDU...</b> <b>New Height - 160 mm</b>	
	<b>Ship Cable Trays System</b> <b>Height: H15 mm</b> <b>Width: 75-300 mm</b> <b>Two types of perforations</b>	<b>Ship Cable Ladders System</b> <b>Height: H30 i H40 mm</b> <b>Width: 100-1000 mm</b> <b>Two types of rungs</b>
	<b>Fast assembly system of support channels CMF...</b> <b>New dimensions of cable support of CM...</b> <b>Quick Lock Nut - Rhomboid NSR..., NSM...</b> <b>Supports for Rooftop Installations</b> <b>Glass Ampule AS... and Injection Mortar, ZI300 and ZIO300</b> <b>Channel Connectors 50H50, 80H80 and 100H100</b>	<b>Base Plates 50H50, 80H80 and 100H100</b> <b>Cable Clamps and Cable Clips</b> <b>Bracket WSU...</b> <b>Threaded Rods Cutter NDCP</b>
	<b>Mounting structure system for the installation of photovoltaic solar panels</b>	
	<b>New type of cable tray (CLICK) - KF...H60</b> <b>Cable Ladders(CLICK) - DF...</b> <b>Wire Mesh Cable Tray KDSZ...</b> <b>System kanałów naściennych</b> <b>Pipe Clamps OBR... i OBS...</b> <b>Thin-walled Pipe RU...</b> <b>Junction Box PMO1, PMO2, PMO3 and PMO3B</b> <b>Anchor Bolt PSRZ...</b> <b>Self-drilling Screw SMD4,8x16</b> <b>Anchor Bolt KKG5... and MKR...</b> <b>Quick Lock Anchoring Screws SKTO... and SKTZO...</b>	

### Examples of New Products and Solutions

				
<b>Cable tray KF...</b>	<b>Wire Mesh Cable Tray KDSZ...</b>	<b>Cable tray KMPP...</b>	<b>Cable tray KLL75H60</b>	<b>Junction Box</b>

## New Solutions within the System of Cable Trays

### New type of cable tray KF...H60 (CLICK)



### Fittings for cable trays KF...

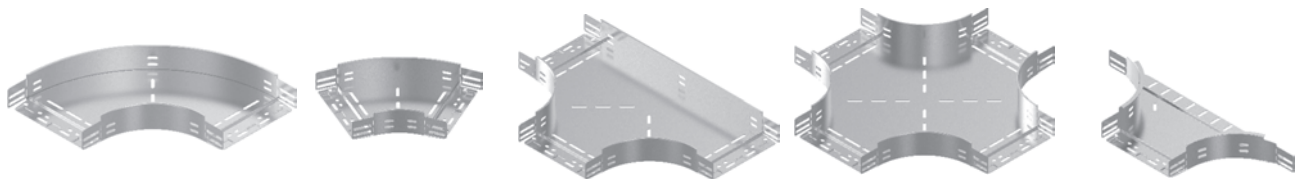
KKPFJ...H60

KKMPFJ...H60

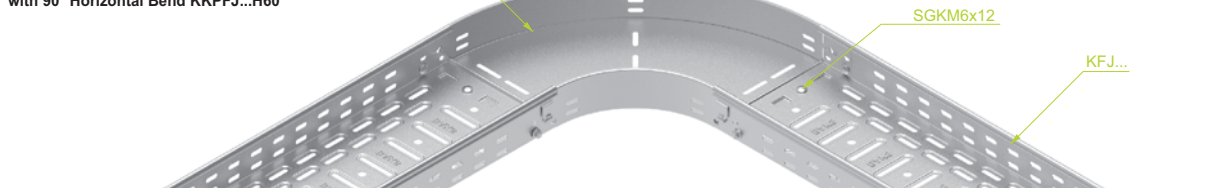
TKPFJ...H60

CZKPFJ...H60

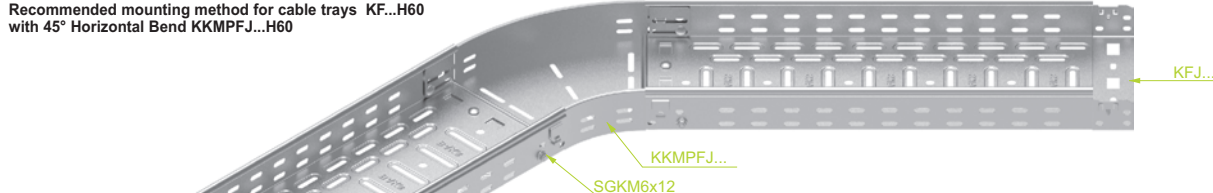
TKDFJ...H60



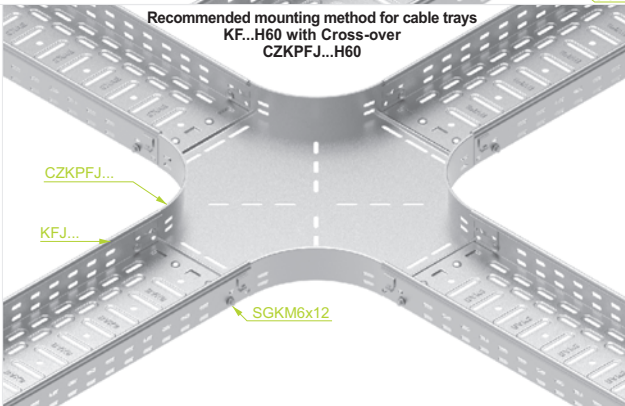
Recommended mounting method for cable trays KF...  
with 90° Horizontal Bend KKPFJ...H60



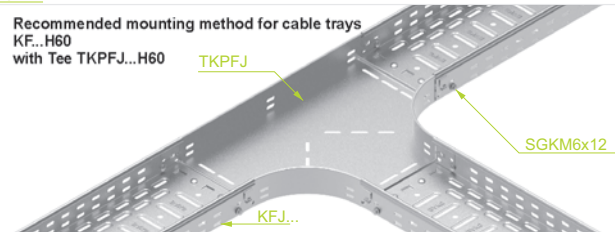
Recommended mounting method for cable trays KF...H60  
with 45° Horizontal Bend KKMPFJ...H60



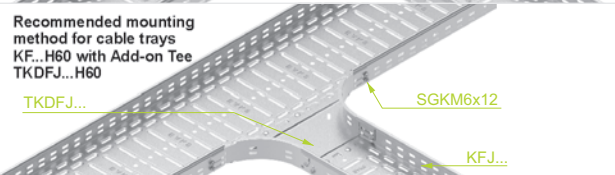
Recommended mounting method for cable trays  
KF...H60 with Cross-over  
CZKPFJ...H60



Recommended mounting method for cable trays  
KF...H60  
with Tee TKPFJ...H60



Recommended mounting  
method for cable trays  
KF...H60 with Add-on Tee  
TKDFJ...H60



**For more information go to Section I of the BAKS Products Catalogue**

## New Solutions within the System of Cable Trays

### New universal fittings

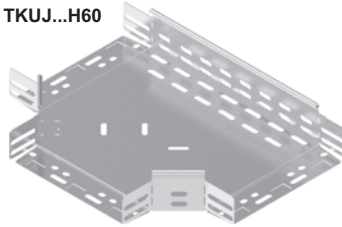
KKUJ...H60



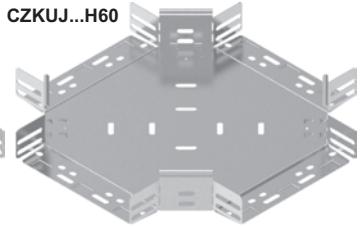
KKMUJ...H60



TKUJ...H60



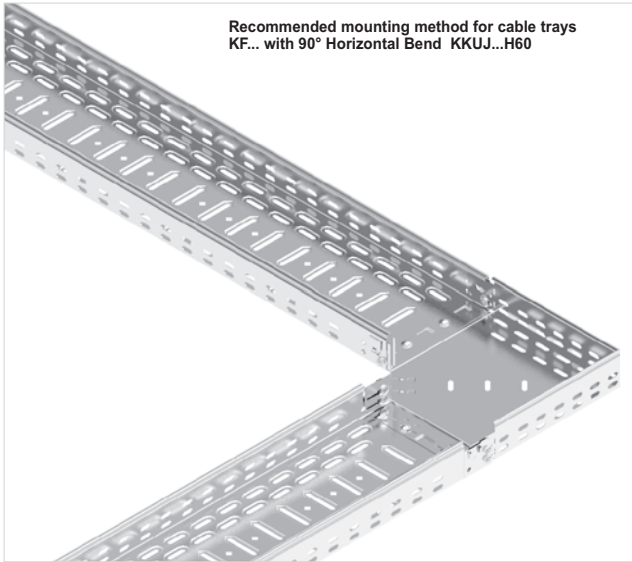
CZKUJ...H60



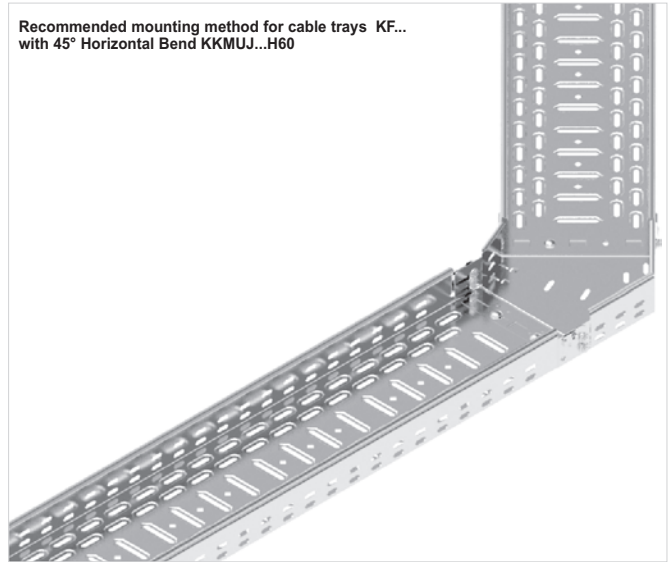
**Features & Benefits:**

- universal fittings suit classic cable trays and CLICK cable trays

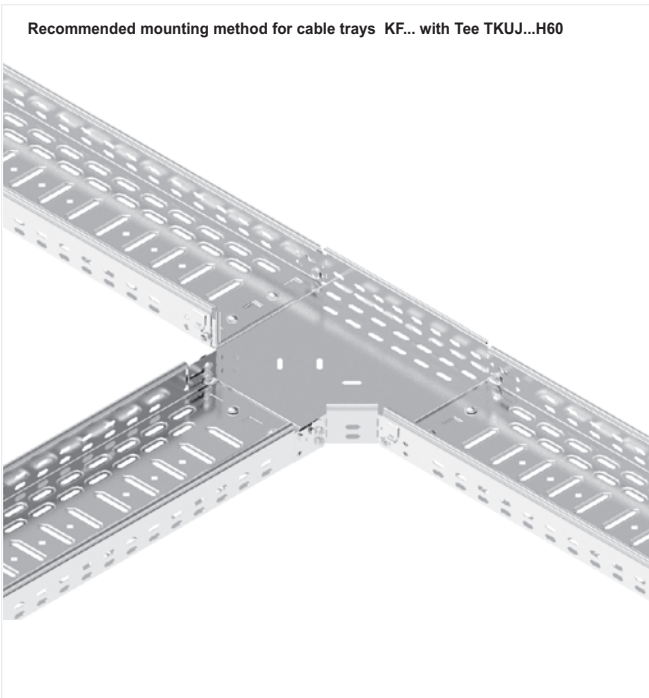
Recommended mounting method for cable trays KF... with 90° Horizontal Bend KKUJ...H60



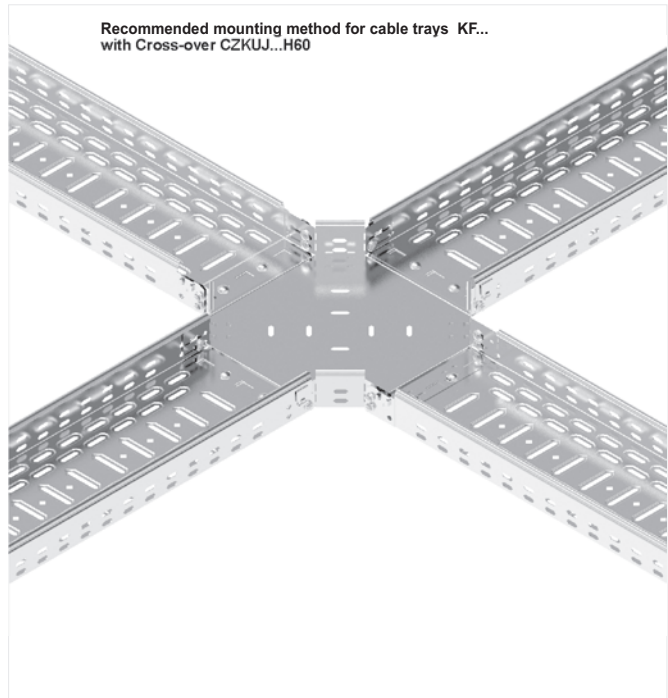
Recommended mounting method for cable trays KF... with 45° Horizontal Bend KKMUJ...H60



Recommended mounting method for cable trays KF... with Tee TKUJ...H60



Recommended mounting method for cable trays KF... with Cross-over CZKUJ...H60

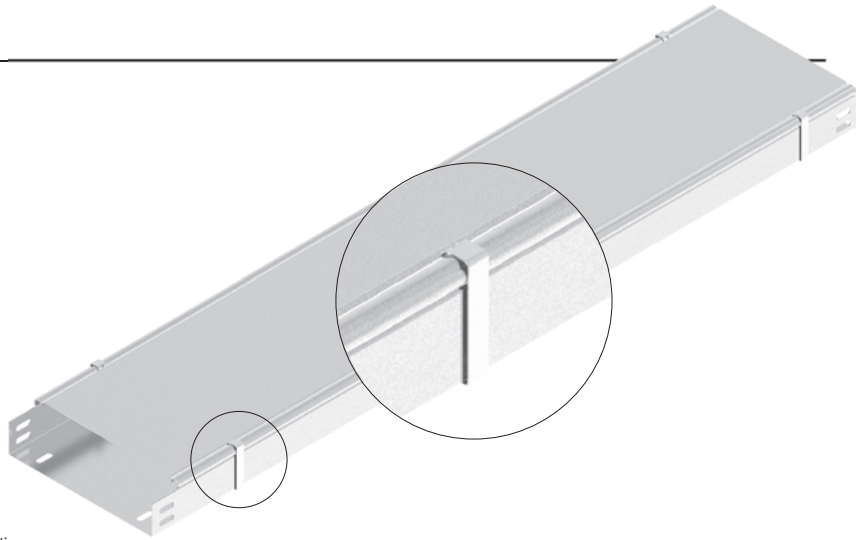


For more information go to Section I of the BAKS Products Catalogue

## New Solutions within the System of Cable Trays

### Cover Clamp

ZPDN...

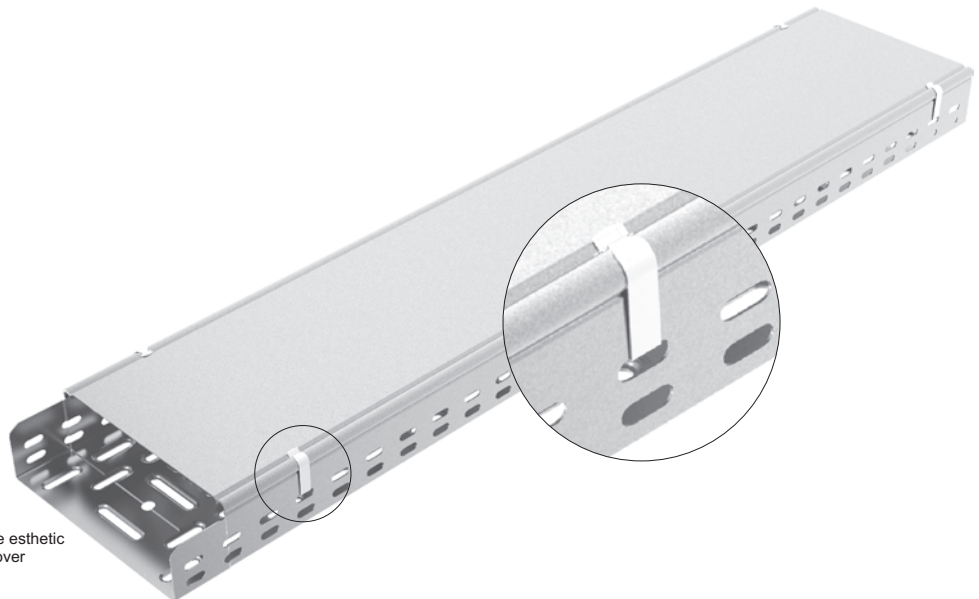


**Features & Benefits:**

- stainless steel clamps are stronger and more esthetic
- modified hooks collaborate better with the cover
- universal application, can be used for cable trays with perforation and without perforation

### Cover Clamp

ZPNN...

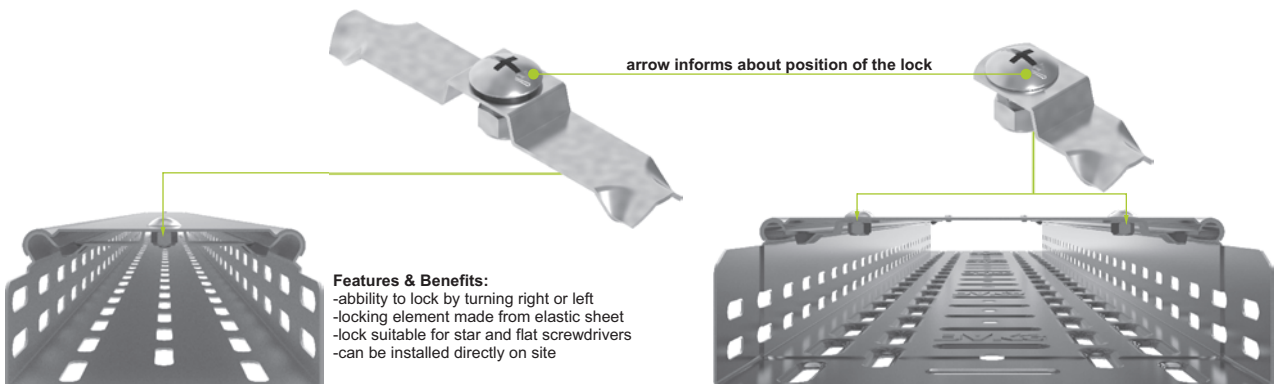


**Features & Benefits:**

- modified shape allows application with cable trays and wire mesh cable trays
- stainless steel clamps are stronger and more esthetic
- modified hooks collaborate better with the cover

### New Cover Locks

ZAMKN...




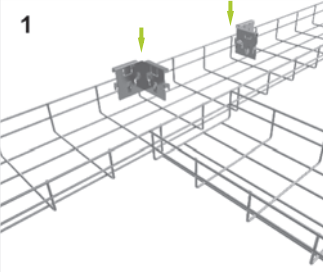
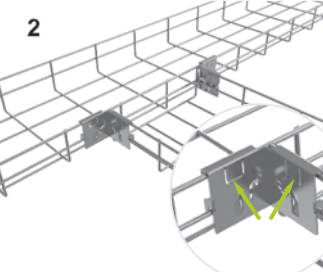
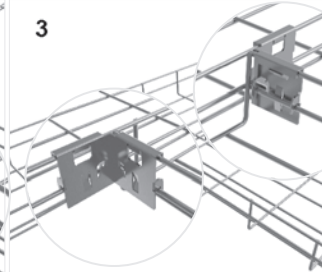
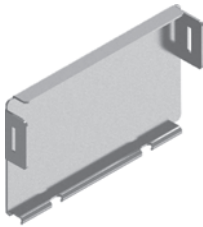
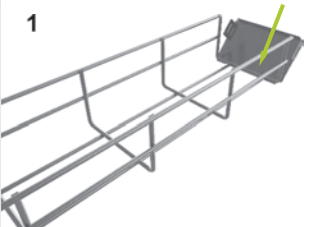
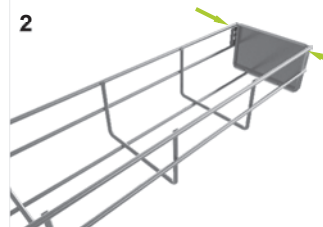

**Features & Benefits:**


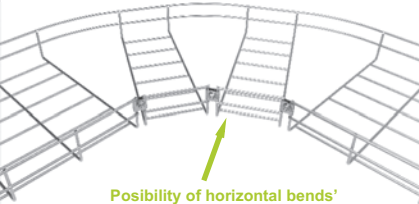
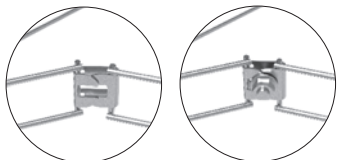

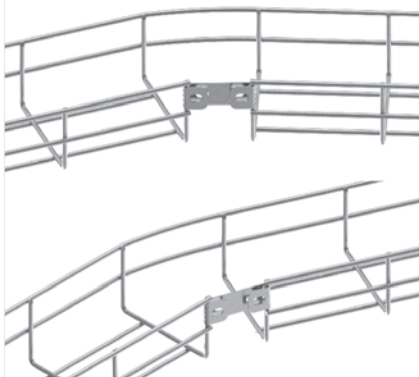

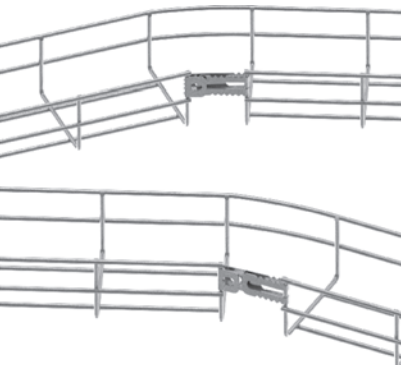
- ability to lock by turning right or left
- locking element made from elastic sheet
- lock suitable for star and flat screwdrivers
- can be installed directly on site



## New Solutions within the System of Wire Mesh Cable Trays

### News in wire mesh cable trays

<p><b>Angle Connector</b></p> <p>LKSUC...</p> 	<p style="text-align: center;">Montage example</p> <div style="display: flex; justify-content: space-around;"> <div style="text-align: center;"> <p>1</p>  </div> <div style="text-align: center;"> <p>2</p>  </div> <div style="text-align: center;"> <p>3</p>  </div> </div>
<p><b>Features &amp; Benefits:</b></p> <ul style="list-style-type: none"> <li>-branching out cable routes</li> <li>-fast and secure screwless montage in any spot of cable route</li> </ul>	
<p><b>Blind End</b></p> <p>ZKLS...</p> 	<p style="text-align: center;">Montage example</p> <div style="display: flex; justify-content: space-around;"> <div style="text-align: center;"> <p>1</p>  </div> <div style="text-align: center;"> <p>2</p>  </div> <div style="text-align: center;"> <p>3</p>  </div> </div>
<p><b>Features &amp; Benefits:</b></p> <ul style="list-style-type: none"> <li>-fast, screwless montage</li> <li>-esthetic finishing of a cable route</li> </ul>	

<p><b>Mounting Connector for Fittings</b></p> <p>PKKS</p>  <p style="text-align: center;">for width 100-600 mm</p> <p><b>Features &amp; Benefits:</b></p> <ul style="list-style-type: none"> <li>-making horizontal bends from wire mesh trays</li> <li>-screwless preliminary montage</li> <li>-possibility of connection reinforcement with the screw</li> <li>-possibility of horizontal bends' inner radius regulation</li> </ul>  <p style="color: green; font-size: small;">Possibility of horizontal bends' inner radius regulation</p> 	<p><b>Mounting Connector for Fittings</b></p> <p>PSKS</p>  <p style="text-align: center;">for width 150-400 mm</p> <p><b>Features &amp; Benefits:</b></p> <ul style="list-style-type: none"> <li>-making horizontal bends from wire mesh trays</li> <li>-screwless preliminary montage</li> <li>-possibility of connection reinforcement with the screw</li> </ul> 	<p><b>Mounting Connector for Fittings</b></p> <p>PDKS</p>  <p style="text-align: center;">for width 50 and 100 mm</p> <p><b>Features &amp; Benefits:</b></p> <ul style="list-style-type: none"> <li>-making horizontal bends from wire mesh trays</li> <li>-screwless preliminary montage</li> <li>-possibility of connection reinforcement with the screw</li> <li>-possibility of horizontal bends' inner radius regulation</li> </ul> 
--	---	---

For more information go to Section II of the BAKS Products Catalogue

## New Solutions within the System of Wire Mesh Cable Trays

<p><b>Ceiling Wire Hanger</b> WSKD...</p>	<p>Assembly steps of the KDS/KDSO wire mesh cable tray to the WSKD60 ceiling wire hanger</p> <p><b>Features&amp;Benefits:</b> -fast and screwless wire mesh cable tray montage -quick montage directly to the ceiling or by using threaded rod -hangers suitable for trays H60</p>	<p>Examples of the WSKD ceiling wire hanger installations:</p> <ul style="list-style-type: none"> <li>- to the ceiling - with a Threaded Rod, NSM, PP, PG, WSKD60, KDS/KDSO60H60</li> <li>- to the ceiling - with a Anchor Bolt, SROM6x30, WSKD60, KDS/KDSO60H60</li> </ul>
<p><b>Wire Clamp for Wire Mesh Cable Trays</b> USKD</p>	<p>Montage stages of wire mesh cable tray KDS/KDSO60H60 to USKD</p> <p><b>Features&amp;Benefits:</b> -fast and screwless wire mesh cable tray montage -possibility of wire mesh cable tray montage to the wall or ceiling -wire mesh cable tray montage to brackets and channels</p>	<p>Appliance example of USKD:</p> <ul style="list-style-type: none"> <li>- to the bracket, USKD, KDS/KDSO60H60, SGM6x12, WW100</li> <li>- to the floor with the screw set, KDS/KDSO60H60, SROM6x30</li> </ul>
<p><b>Stiffening Connector</b> LUWD</p> <p><b>Features&amp;Benefits:</b> -simplified montage of WD... hanger with the threaded rod to the ceiling -together with WD... hanger and PG... rod gives possibility of suspending cable trays, channels and wire mesh cable trays -stiffens sling based on WD... hanger</p>	<p>PG... LUWD WD60</p>	<p>KDS/KDSO60H60</p>
<p><b>Protective Cap (for Wire Mesh Cable Tray)</b> NOS</p> <p><b>Features&amp;Benefits:</b> -protection against sharp edges resulting from cutting</p>		
<p><b>Wire Mesh Cable Tray</b> KDSD300H50</p>	<p><b>Connector Ceiling Hanger</b> LKDSC UKDSC UKDSPC</p> <p>accessories for cable trays KDSD300H50</p>	<p><b>Battery powered cable tray cutter</b> NAKS</p>

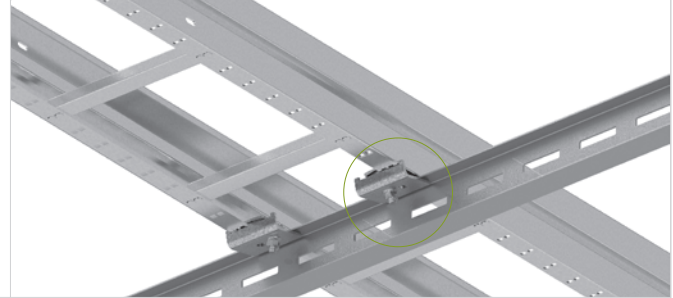
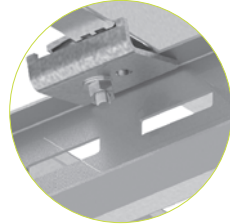
For more information go to Section II of the BAKS Products Catalogue

**New Solutions within the System of Long Span Cable Trays and Ladder Trays**

**Cable Ladder Holder**  
UDD



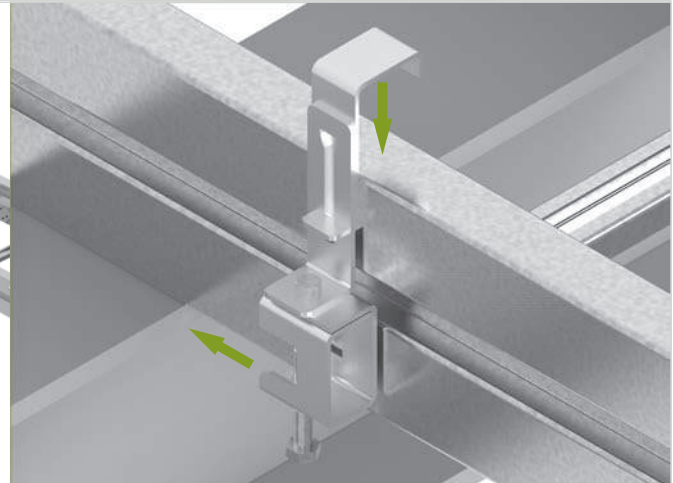
Application example of UDD



**Universal Holder**  
UDU



Application example of UDU

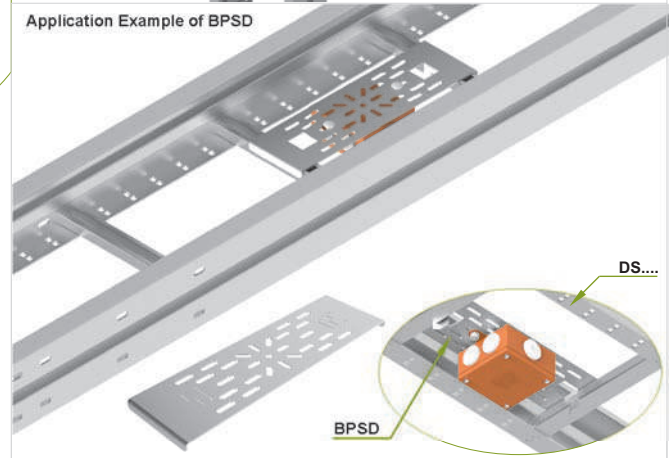
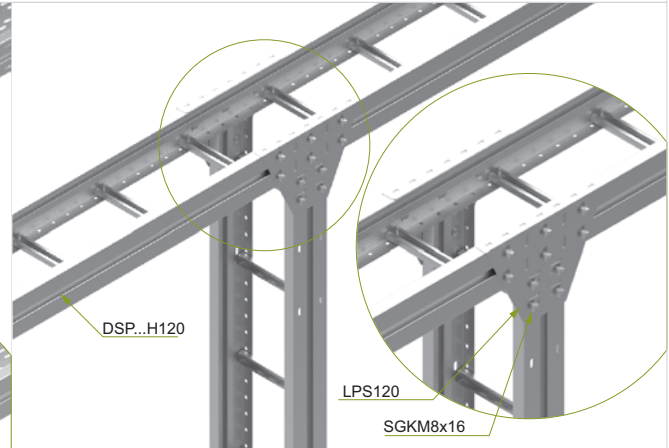
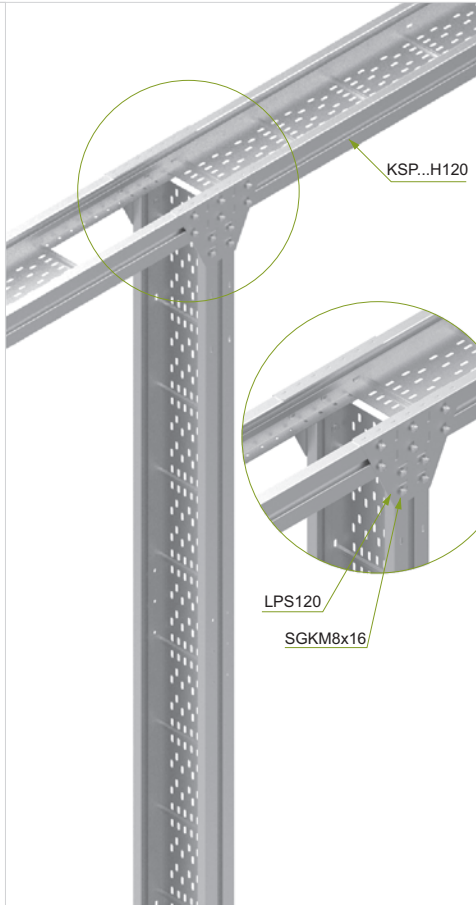


Example of a descent of a cable route using the LPS120 vertical connector

**Vertical Connector**  
LPS120



LPS200



For more information go to Section III and VII of the BAKS Products Catalogue

## Cable trays - power supply to machines

**System of cable trays designed for cable and wire supply to industrial machines. Designed for assembly to the floor. Cable tray KMPP..., KMPC... and all fittings are together with covers in a set**

<p>height: H50, H100, H200 mm width: 50-600 mm thickness: 1,5; 2,0 mm</p> <p>Independent hinge allows mounting of the lid at any length</p>	<p><b>Strong</b></p> <p>Fixed hinge and a cover with lock.</p>	<p><b>Covers Support PPKM...</b></p> <p><b>Features &amp; Benefits:</b> -allows safe walking on the cable trays for power supply to machines, minimizes strain on the cover</p>
---	--	---

Example of application - power supply to machines

<p><b>Bottom Elbow - Right KRPDM...</b></p>	<p><b>Bottom Elbow - Left KRLDM...</b></p>	<p><b>Bottom Tee - Lengthwise TRKM...</b></p>
---	--	---

## Lighting Trunking System

<p><b>Cable Tray (CLICK) KLF...H60</b></p>	<p>height: H60 mm width: 75, 120 mm thickness: 0,7 - 1,0 mm</p> <p><b>Features &amp; Benefits:</b> -fast and easy montage -stable snap connection -linkerless connection</p>
--	--

Examples of Lighting Trunking System Components

<p><b>Horizontal Cross-over CZKLJ...</b></p>	<p><b>Horizontal Tee TKLJ...</b></p>	<p><b>90° Horizontal Bend KKLJ...</b></p>
<p><b>Hanger WSKL...</b></p>	<p><b>Hanger WLS...</b></p>	<p><b>Hanger WSL...</b></p>

For more information go to Sections V and XVII of the BAKS Products Catalogue



## New Solutions within the System of Cable Ladders

### New Cable Ladders DF... (CLICK)

Application of Cable Ladder DF... with screwless connection:


- electrical installations assembled in grounded steel structures
- electrical installations up to 1kV voltage
- hydraulic and pneumatic installations etc.

**Electrical continuity confirmed by VDE Prüf- und Zertifizierungsinstitut GmbH**

**Features & Benefits:**

- fast and easy montage
- stable snap connection
- linkerless connection

height H60 i H100  
width 100-600  
sheet thickness 1,2-2,0 mm



### New montage way of cable ladders

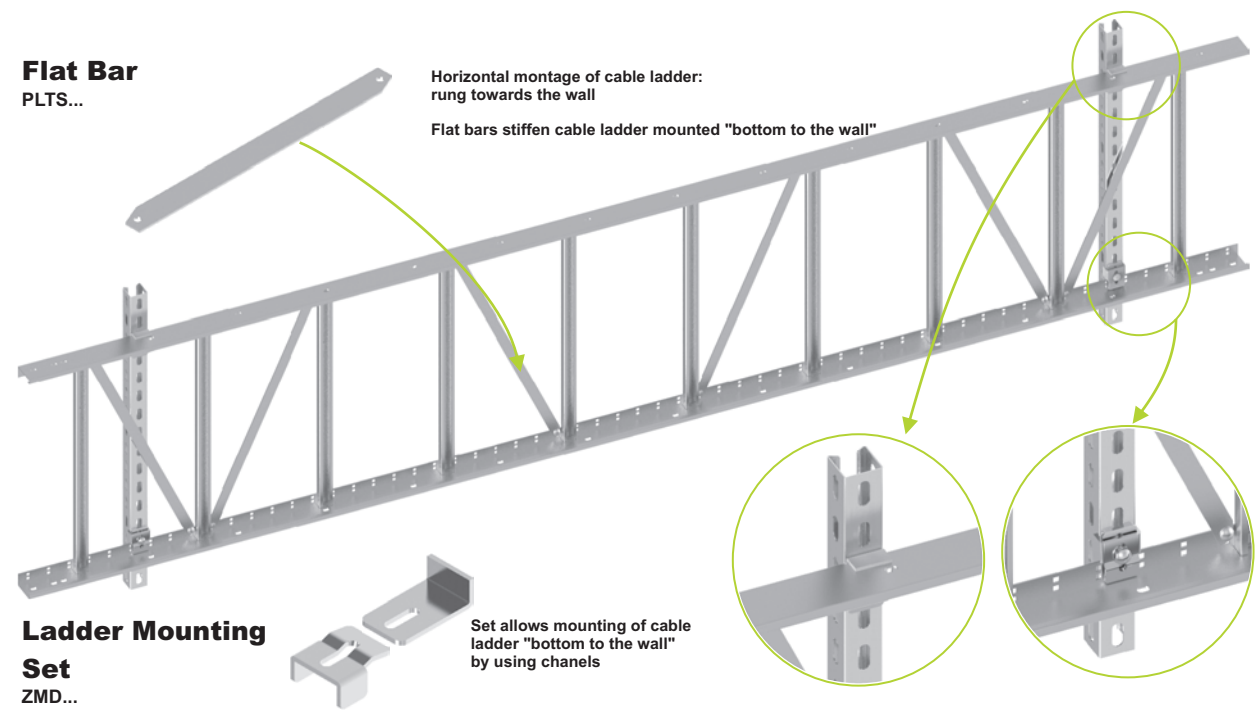
**Flat Bar**  
PLTS...

Horizontal montage of cable ladder:  
rung towards the wall


Flat bars stiffen cable ladder mounted "bottom to the wall"

**Ladder Mounting Set**  
ZMD...

Set allows mounting of cable ladder "bottom to the wall" by using chanel



**Universal Holder**  
UDD



For more information go to Section VI of the BAKS Products Catalogue

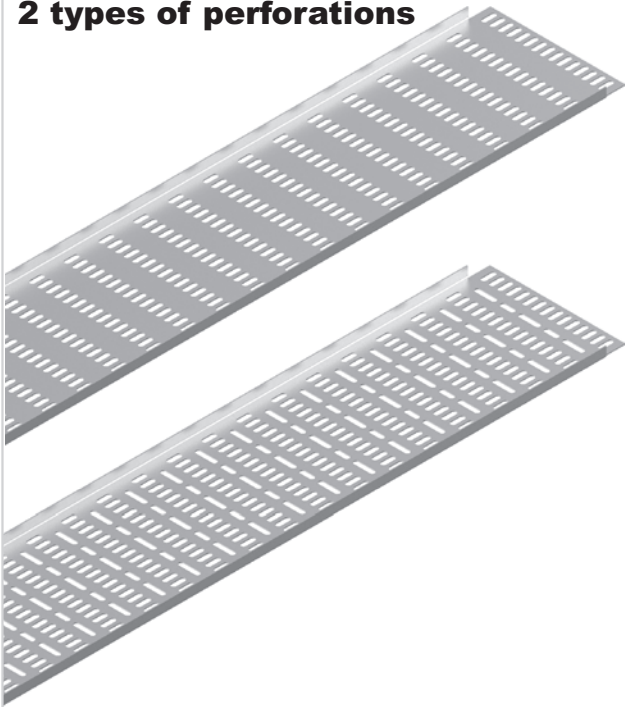
**Ship Cable Trays and Ladders**

**Ship Cable Trays System**

**Height: H15 mm**

**Width: 75-300 mm**

**2 types of perforations**

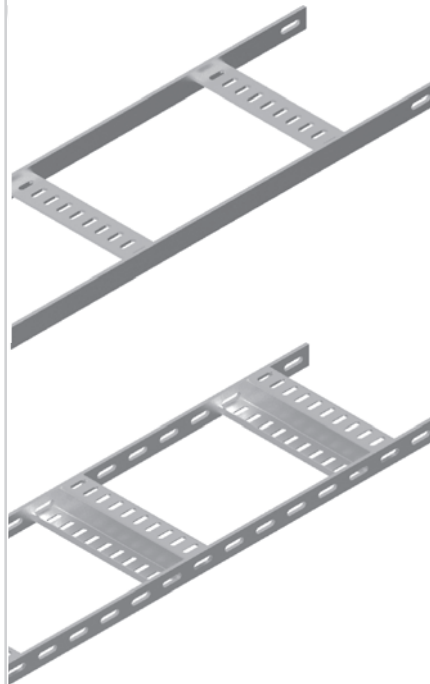


**Ship Cable Ladders System**

**Height: H30 and H40 mm**

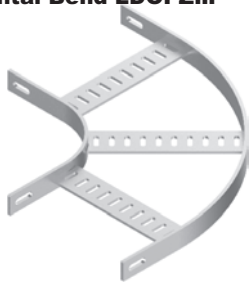
**Width: 100-1000 mm**

**2 types of rungs**



**Examples of Components of Cable Ladders System**

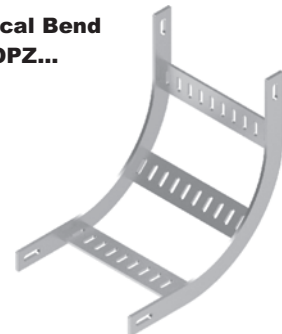
**Horizontal Bend LDOPZ...**



**Add-on Tee TDDOPZ...**



**Vertical Bend LPDOPZ...**



**Horizontal Bend LDOZ...**



**Add-on Tee TDDOZ...**



**Fixing Clamp LMDOZ..**

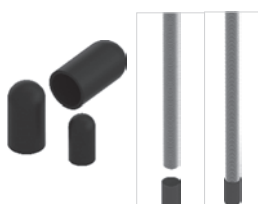




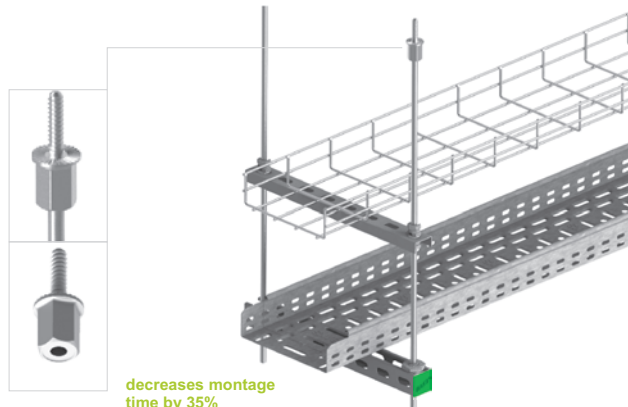
**Connector LDOU...**



For more information go to Section IX of the BAKS Products Catalogue

## New products in support system

<p><b>Protective Cap</b> NGP...</p>  <p><b>Application:</b> Cover at the end of the rod protects thread from damage</p>	<p><b>Threaded Rods Cutter</b> NDCP...</p>  <p><b>Features &amp; Benefits:</b> - Cutting does not destroy the thread</p>
--	--

<p><b>Quick Lock Nut - Rhomboid</b> NSR...</p>  <p>decreases montage time by 34%</p> <p><b>Features &amp; Benefits:</b> -fast and easy modernization of a sling on the rod -specific use in modernization projects (possibility of adding a level of route) -mounting elements to the open side of the channel</p>	<p><b>Quick Lock Anchoring Screw</b> SKT...</p>  <p>decreases montage time by 35%</p> <p><b>Features &amp; Benefits:</b> -fast and easy sling montage to the ceiling with rods -possible montage of rod with damaged thread or with burrs resulting from cutting -possible prefabrication of cable routes on the ground for immediate suspension (just need to push the rod into the already installed Quick Lock Anchor Screw)</p>
--	--


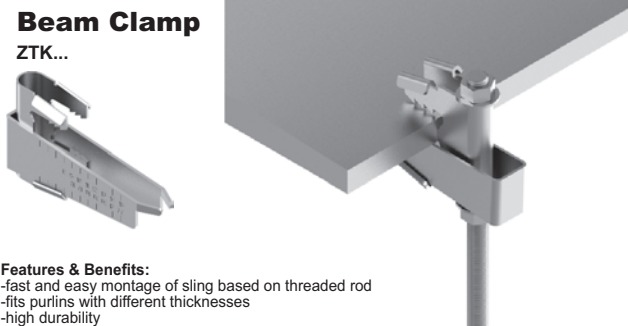
**Quick Lock Nut**  
NSM...

decreases montage time by 50%

**Features & Benefits:**  
-use of the nut skips process of screwing on the thread



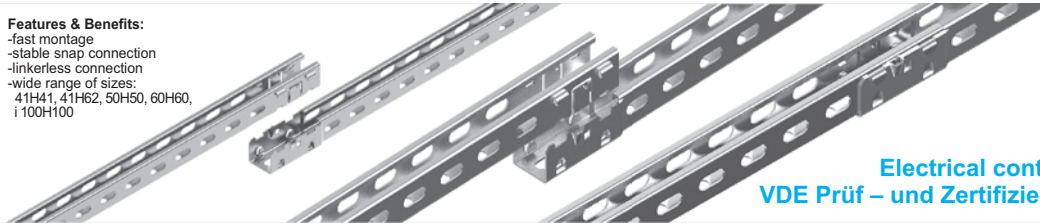
## New clamps for steel constructions allowing fast montage of threaded rod

<p><b>Quick Beam Clamp</b> ZSM...</p>  <p>decreases montage time by 60%</p> <p><b>Features &amp; Benefits:</b> -fast and easy suspension montage on rods to the I-Beam -montage possibility of rod with damaged thread -possibility of cable trays prefabrication on ground for immediate suspension (just need to push the threaded rod into previously installed clamp)</p>	<p><b>Beam Clamp</b> ZTK...</p>  <p><b>Features &amp; Benefits:</b> -fast and easy montage of sling based on threaded rod -fits purlins with different thicknesses -high durability</p>
--	---

## New products in support system

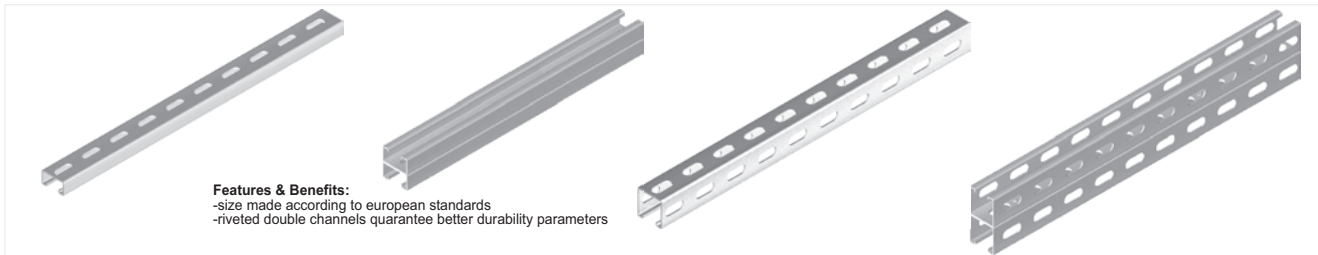
### New type of Support Channels CMF... (CLICK)

**Features & Benefits:**  
 -fast montage  
 -stable snap connection  
 -linkerless connection  
 -wide range of sizes:  
 41H41, 41H62, 50H50, 60H60,  
 i 100H100



Electrical continuity confirmed by  
 VDE Prüf – und Zertifizierungsinstitut GmbH

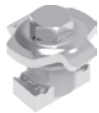
### New sizes of Support Channels CM...41H21, CMP...41H42, CM...41H41, CMP...41H82



**Features & Benefits:**  
 -size made according to european standards  
 -riveted double channels guarantee better durability parameters

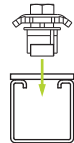
### Fast connection of support channels

**Fast Assembly  
 Channel  
 Nut - Rhomboid  
 NSP**



#### Instruction for mounting Fast Assembly Channel Nut NSP

- ① Place the connector on the open part of the channel
- ② Put the nut into the channel
- ③ Push and turn 90° to the right
- ④ Tighten the screw



**Features & Benefits:**  
 -elastic mechanism makes set up of the mounted element easy, just press and slide  
 -fast montage saves time during assembly and disassembly

**Channel Connector**

LCSP



**45° Channel  
 Connector**

LCSP1

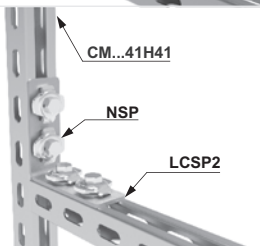
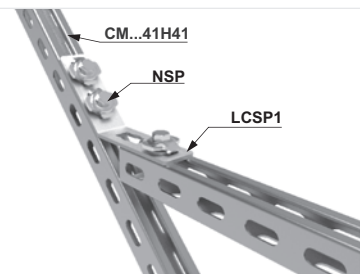
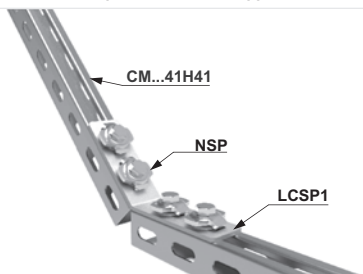


**90° Channel  
 Connector**

LCSP2



#### Application Example of NSP with Support Channels 41H41

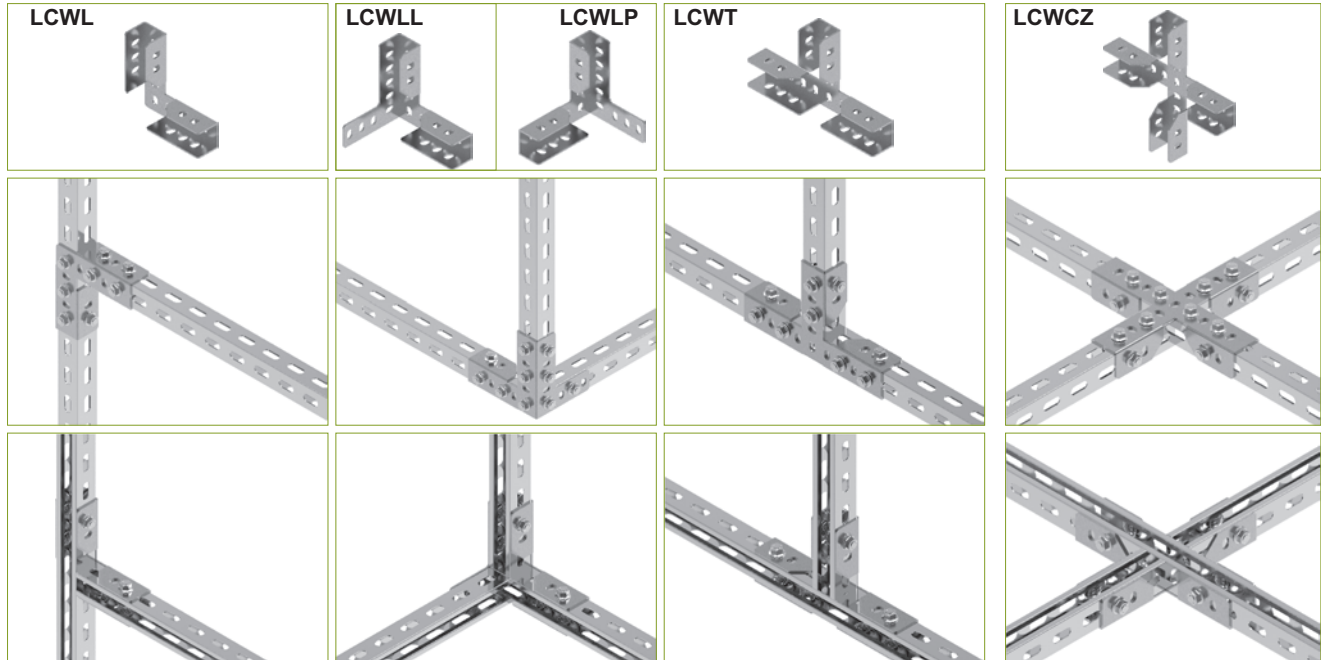


Informacje w rozdziale X katalogu BAKS



## New products in support system

### New strengthened channel connectors



**Features & Benefits**

- fast way of creating spatial construction from channels
- cutouts enable montage "head to head" or looped
- strong and stable channels connection
- perforation suitable for all channels 40H40 and 41H41
- possibility of using standard screws on all sides of the channel

**Base Plates**

PVC50



PVC100



PVC80



**Angle Connector 90°**

LCWL...



**Angle Connector 90° Right**

LCWLP...



**Angle Connector 90° Left**

LCWLL...



**Tee Connector**

LCWT...



**Cross-over Connector**

LCWCZ...



**Features & Benefits**

- easy and fast of mount channel to the floor and ceiling

**Features & Benefits**

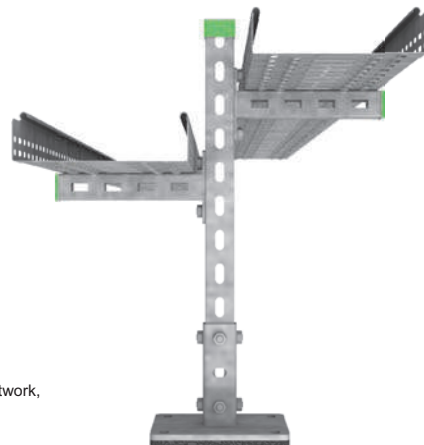
- fast way of creating spatial construction from channels
- cutouts enable montage "head to head" or looped
- strong and stable channels connection
- possibility of using standard screws on all sides of the channel

**Support for Rooftop Installations**

SDB40



SDB50



**APPLICATIONS**

Modular support system for installations of Cable Trays, Climate Units, Pipework, Ductwork, Walkways, Solar Panels, Wind Turbines, Pumps on flat roofs. Designed for Support Channels 40x40mm or 41x41mm

**APPLICATIONS**

Modular support system for installations of Cable Trays, Climate Units, Pipework, Ductwork, Walkways, Solar Panels, Wind Turbines, Pumps on flat roofs. Designed for Support Channels 50x50mm

For more information go to Section X of the BAKS Products Catalogue

## New products in support system

### New wire ropes and equipment

<p><b>Y-Fit-Toggle</b> LYZ...</p>	<p><b>Y-Fit-Stud</b> LYT...</p>	<p><b>Y-Fit-Snap Hook</b> LYH...</p>	<p><b>Anchor with Closed Hook</b> KHZ6</p>	
			<p><b>Ring Anchor</b> KO6</p>	
			<p><b>Features &amp; Benefits:</b> -fast installation -easy length adjustment -easy disassembly</p>	

### New mounting elements

<p><b>Anchor Bolt</b> MKR...</p> <p><b>Application</b> Construction mounting, suspending cable trays to porous concrete, Silikate bricks, concrete and Porotherm style clay block brick.</p>	<p><b>Anchor Bolt</b> KKG5...</p> <p><b>Application</b> Construction mounting, installation of cable tray to the drywall</p>	<p><b>Self-drilling Screw</b> SMD4,8x16</p> <p><b>Application</b> Mounting UDF... and UEF... cable clamps to the sleet surfaces (sandwich panels, trapezoidal steel sheets)</p>	<p><b>Concrete Screw</b> WDB7,5x52</p> <p><b>Application</b> Mounting cable clamps UDF... and UEF... as well as cable hangers OZ...</p>	<p><b>Stop Drill</b> WSRO6x30</p> <p><b>Application</b> Drilling holes with precise depth for SROM6x30 anchor bolt</p> <p><b>WGSO6x40</b> <b>Application</b> Drilling holes with precise depth for GS6x40 ceiling nails.</p>
--	--	---	---	--

### Self Locking Nuts

NSAM...



Code	Catalogue No.
NSAMM6	651244
NSAMM8	651334
NSAMM10	651444
NSAMM10	651544

**Application:**  
-for screwing elements exposed to vibrations in seismic zones

**Features & Benefits:**  
-nut has insert that protects against self-loosening  
-no need for using washer (shorter and easier montage)

### Zinc Paste

WSZINK...

Code	Catalogue No.
WSZINK1000	650001
WSZINK250	650002
WSZINKS400	650003

**Features & Benefits:**  
-effective corrosion protection  
-different packaging suitable for clients needs  
-available also in spray, eases security  
-rich in zinc -75% (over 90% in pigment)



### Chemical Anchor Bolts

#### Glass Ampule (comes as a set with PGS...)

AS...



**Features & Benefits:**  
High resistance and low resin shrinkage allow for applying highest loads to solid concrete. This method of anchoring is free of expansion stress

#### Thread Rod

PGS...



#### Injection Mortar

ZIO300



**Features & Benefits:**  
High hybrid resistance of heavy-load mortar for all types of construction materials. A universal assembly system for any site! Designed for anchoring of reinforcement bars. First injection system with approval for concrete, anchoring of reinforcement bars, solid and hollow blocks, and aerated concrete.

#### Plastic drop-in wire anchor

TST



**Features & Benefits:**  
-centering wings stabilize ceiling nail and give possibility of using any diameter threaded rod  
-hooks keep Drop-In Anchor in the opening and enable easy montage above the head  
-geometrical shape makes anastomosis of floor layers possible, eases montage  
-ensures optimal use of ZIO300 Injection Mortar

#### Steel drop-in wire anchor

TSM...1000



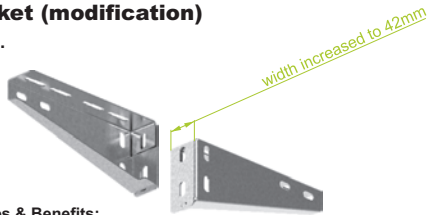
**Features & Benefits:**  
-ensures optimal use of ZIO300 Injection Mortar

For more information go to Section XI of the BAKS Products Catalogue

## New products in support system

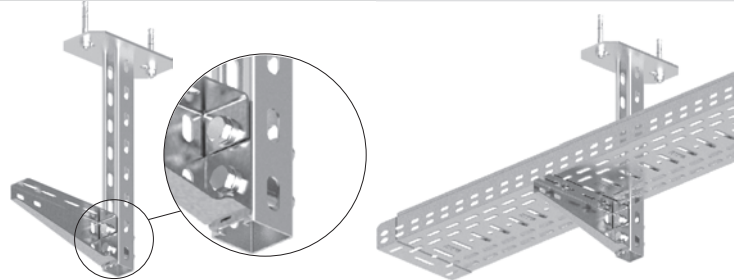
### Bracket (modification)

WWS...



#### Features & Benefits:

- wider bracket can be mounted to any side of BAKS head plate based on 40 mm channel
- connection with the open side of the channel without using extra elements



### Beam Clamp

ZCD...

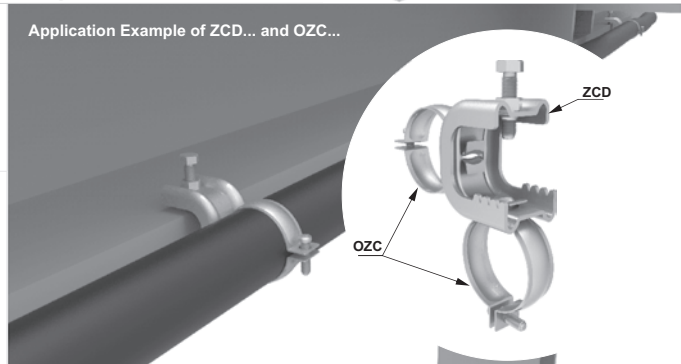


**News!**  
Zinc flake coating gives better corrosion protection.

#### Features & Benefits:

- specially serrated surface provides additional security against sliding of the mounted clamp
- Ø14 mm opening for threaded rod and hooks
- good base for building solid structures on steel constructions without drilling and welding

Application Example of ZCD... and OZC...



### Cable Clip

OZC...

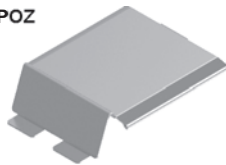


#### Features & Benefits:

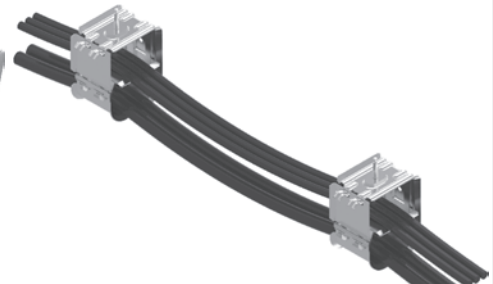
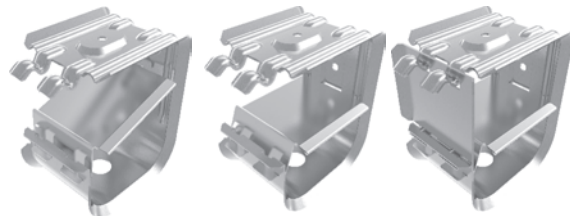
- fast and easy assembly with beam clamp
- plastic pad on the screw protects it from falling out during montage
- beam clips can be used with different diameter cables

### Barrier Strip OZ

POZ



Montage example of Barrier Strip POZ and Beam Clip OZ



**Features & Benefits:**  
Barrier strip separates cables.

### Head Plate with Barrier Strip

PSBR



#### Features & Benefits:

- completes the system
- very durable head plate for new double channels 41H82
- integrated spacer in the base protects channel from strain and shortens assembly time
- bracket can be mounted to any side of a channel (even from the open side, what gives possibility of smooth regulation)

integrated barrier strip

### Head Plate

PSB



#### Features & Benefits:

- completes the system
- very durable head plate for new double channels 41H42
- integrated spacer in the base protects channel from strain and shortens assembly time
- bracket can be mounted to any side of a channel (even from the open side, what gives possibility of smooth regulation)

For more information go to Sections XII and XIII of the BAKS Products Catalogue





## Mounting structure system for the installation of photovoltaic solar panels

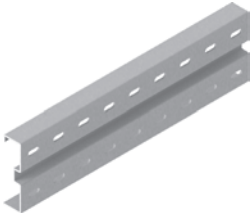



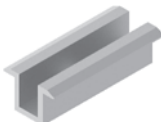



Aluminum and steel mounting systems for the installation of photovoltaic solar panels. The BAKS company offers a variety of mounts for installing solar panels directly on:

- the ground,
- a concrete base,
- a flat roof,
- an inclined roof.

The mounting structures offered by BAKS allow the installation of PV panels both in the vertical and horizontal orientation.

### Examples of elements of the PV solar panel installation system

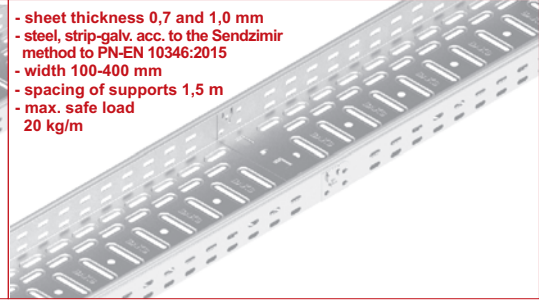
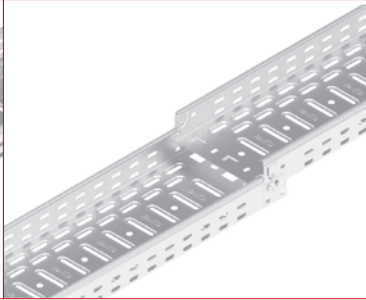
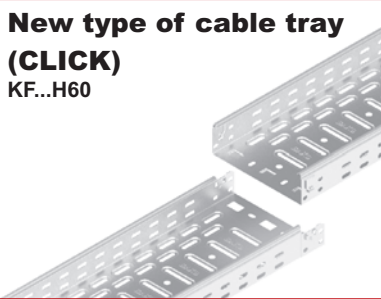
 <p><b>Steel profile</b> BDFCH120...F</p>	 <p><b>Aluminum profile</b> PAL40H40/...</p>	 <p><b>Screw- double threaded</b> SWD...E</p>
 <p><b>Side holder</b> BUF...</p>	 <p><b>Middle holder</b> PUF</p>	 <p><b>Adjustable holder for the trapezoid plate</b> RUBT...</p>

For more information go to Section XVIII of the BAKS Products Catalogue



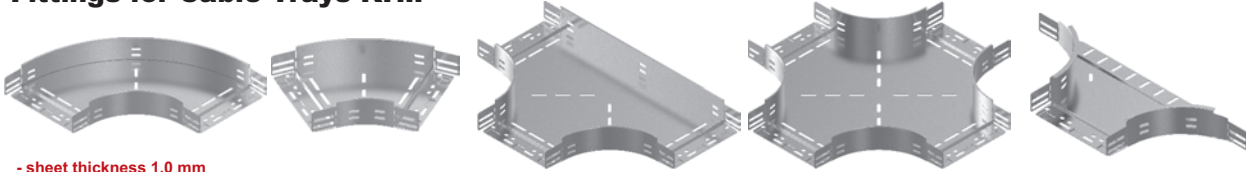
## New Solutions within the System E30, E90

### New type of cable tray (CLICK) KF...H60



- sheet thickness 0,7 and 1,0 mm
- steel, strip-galv. acc. to the Sendzimir method to PN-EN 10346:2015
- width 100-400 mm
- spacing of supports 1,5 m
- max. safe load 20 kg/m

### Fittings for Cable Trays KF...

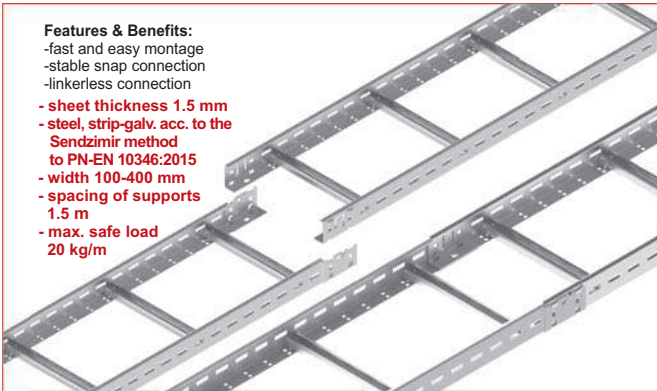


- sheet thickness 1,0 mm
- steel, strip-galv. acc. to the Sendzimir method to PN-EN 10346:2015
- width 100-600 mm

### New Cable Ladders DF... (CLICK) and Wire Mesh Cable Trays KDSZ

#### Features & Benefits:

- fast and easy montage
- stable snap connection
- linkerless connection
- sheet thickness 1,5 mm
- steel, strip-galv. acc. to the Sendzimir method to PN-EN 10346:2015
- width 100-400 mm
- spacing of supports 1,5 m
- max. safe load 20 kg/m



#### Features & Benefits:

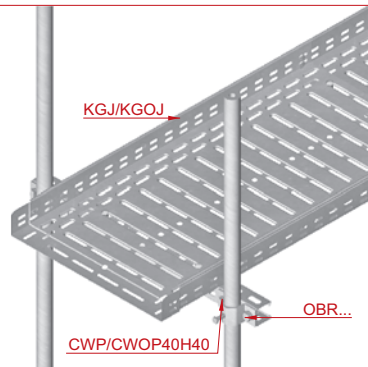
- fast and easy montage
- stable snap connection
- linkerless connection
- max. safe load KDSZ60H60/3: 2 kg/m
- KDSZ100 - 400H60/3: 20 kg/m
- max. spacing of supports 1,5 m



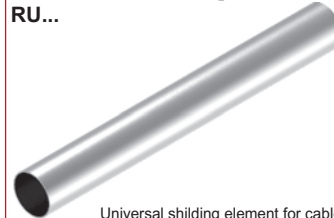
### Pipe Clamps OBR...



- sheet thickness 3,5 i 4,0 mm
- steel, hot-dip galvanised to PN-EN ISO 1461:2011
- Stainless steel PN-EN 10088

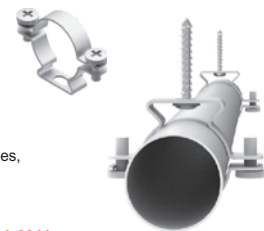


### Thin-walled Pipe RU...



Universal shielding element for cables, specifically used for vertical descent

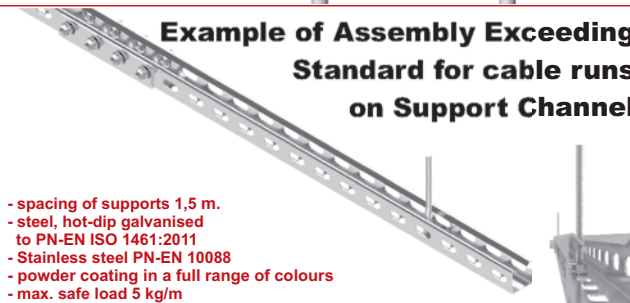
### Pipe Clamps OBS...



- spacing of pipe clamps 1,5 m.
- steel, hot-dip galvanised to PN-EN ISO 1461:2011
- stainless steel PN-EN 10088

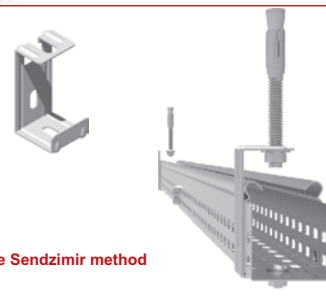
### Example of Assembly Exceeding Standard for cable runs on Support Channel

- spacing of supports 1,5 m.
- steel, hot-dip galvanised to PN-EN ISO 1461:2011
- Stainless steel PN-EN 10088
- powder coating in a full range of colours
- max. safe load 5 kg/m



### Side Holder WC50

WC50



- spacing of supports 1,5 m
- Steel, strip-galv. acc. to the Sendzimir method PN-EN 10346:2015
- max. safe load 5 kg/m

For more information go to Section XIX of the BAKS Products Catalogue

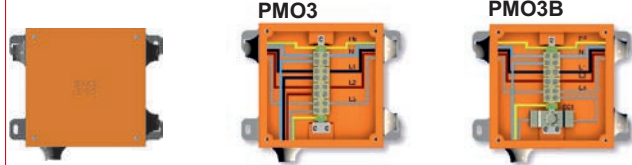
**Junction Box**  
PMO1 and PMO2



**IP65**

- electro-galvanised steel to PN-EN 10152, powder coated RAL 2003
- stainless steel 1.4301, powder coated RAL 2003

**Junction Box**  
PMO3 and PMO3B (with Fuse)



**IP65**

- steel hot-dip galvanised to PN-EN ISO 1461:2011, powder coated RAL 2003
- Stainless steel 1.4301, powder coated RAL 2003

**Anchor Bolt**  
PSRZ...

- Installing assemblies, suspending cable routes for overhead concrete base (uncracked, cracked C20/25-C50/60, C12/15, and natural stone with dense structure
- for use in seismic zones C1 and C2
- electro-galvanised steel
- stainless steel, grade 1.4404 (A4)



**Quick Lock Anchoring Screws**  
SKTO... and SKTZO...

- Anchoring in concrete (uncracked, two-way slab, cracked). Allows for mounting a M8 or M10 Threaded Rod (SKTO...).

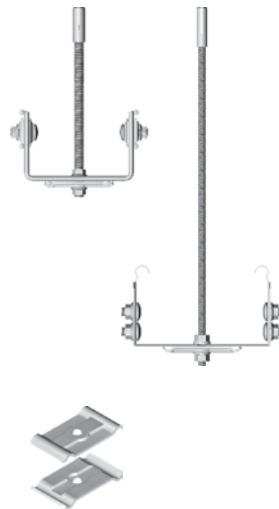


**Example of Assembly for Cables Distribution - Cable Tray and Wire Mesh Cable Tray**

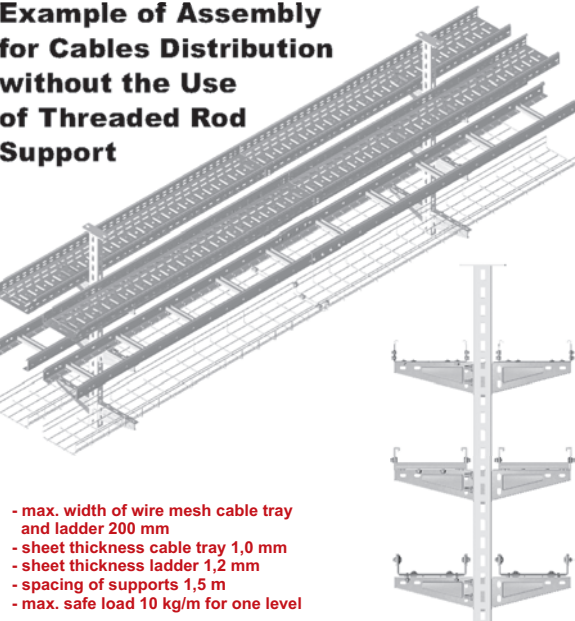
width of wire mesh cable tray 100 mm  
max. spacing of supports 1,5 m  
max. safe load 15 kg/m

width of cable tray 100 mm  
max. spacing of supports 1,5 m  
max. safe load 15 kg/m

- electro-galvanised steel
- steel hot-dip galvanised to PN-EN ISO 1461:2011
- stainless steel
- powder coating in a full range of colours



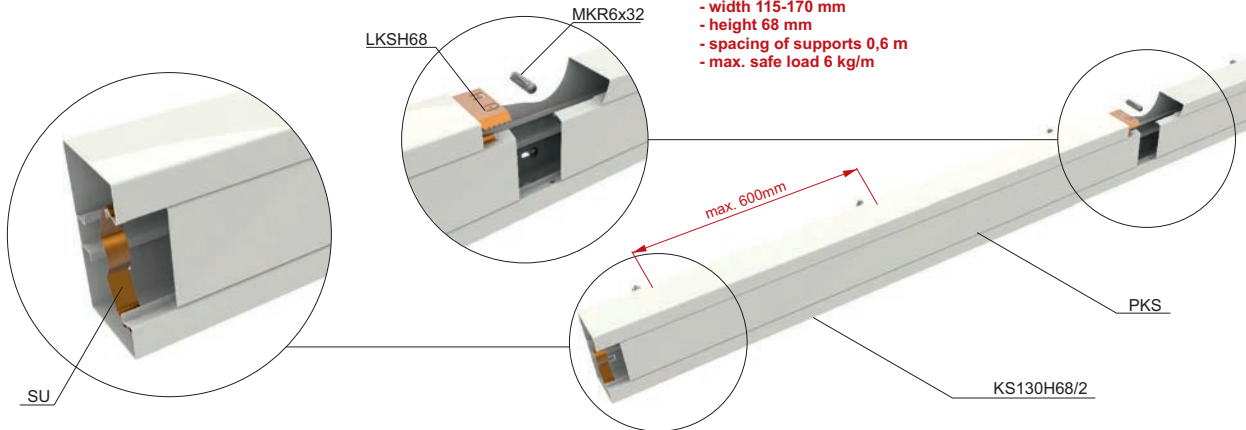
**Example of Assembly for Cables Distribution without the Use of Threaded Rod Support**



- max. width of wire mesh cable tray and ladder 200 mm
- sheet thickness cable tray 1,0 mm
- sheet thickness ladder 1,2 mm
- spacing of supports 1,5 m
- max. safe load 10 kg/m for one level

**Wall Trunking System**

- sheet thickness 1,0 mm
- electro-galvanised steel to PN-EN 10152, paint-finished – white to RAL 9010 or grey to RAL 7035
- width 115-170 mm
- height 68 mm
- spacing of supports 0,6 m
- max. safe load 6 kg/m



For more information go to Section XIX of the BAKS Products Catalogue